

## Adapter plates

### Adapter-plates for front dimension 48 x 48 mm

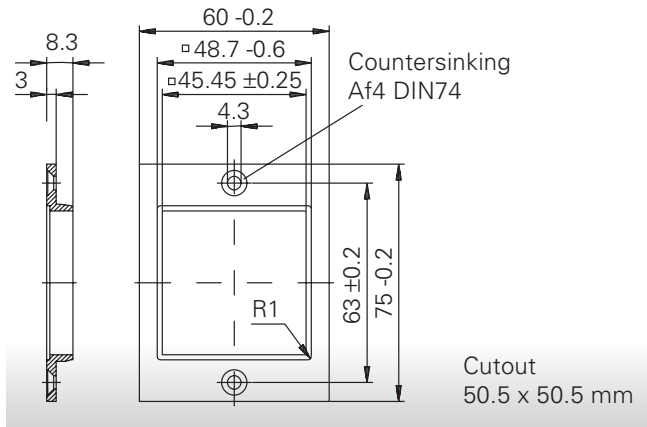
#### Screw mounting

#### Order designation

**Z 118.033**

For counter types:  
NE131  
NE134  
NE210  
NE216

#### Dimensions



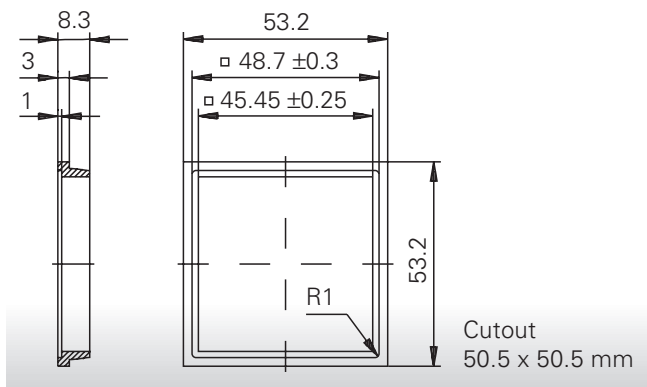
#### Clip mounting

#### Order designation

**Z 118.034**

For counter types:  
NE131  
NE134  
NE210  
NE216

#### Dimensions



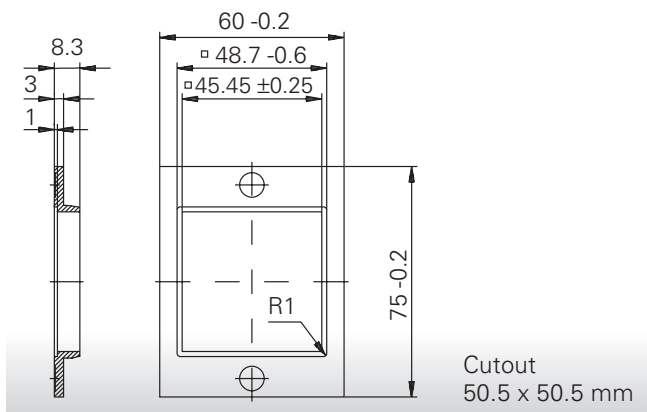
#### Clip mounting with big front panel

#### Order designation

**Z 118.035**

For counter types:  
NE131  
NE134  
NE210  
NE216

#### Dimensions



## Blind front panels

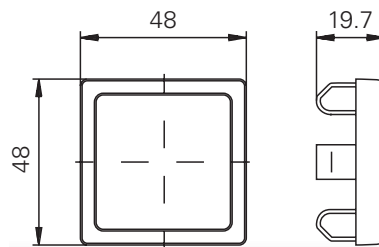
### Blind front panels

Front panel 48 x 48 mm

Order designation

Z 001.05A

Dimensions



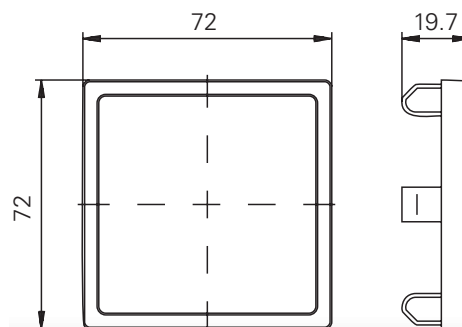
With 4 clips mounting

Front panel 72 x 72 mm

Order designation

Z 001.06A

Dimensions



With 6 clips mounting

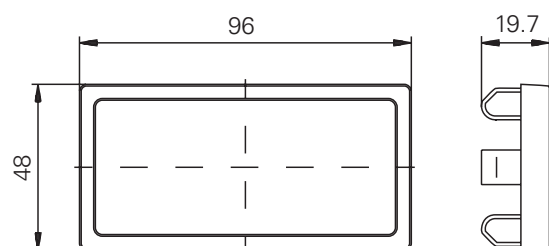
Front panel 96 x 48 mm

Order designation

Z 001.09A

Others upon request

Dimensions



With 6 clips mounting

## Transparent protective covers

### Flexible transparent protective covers

To protect the counters against dust and water. The flexible, transparent material allows the keys to be pressed. Complete with cover frame, screws and nuts.

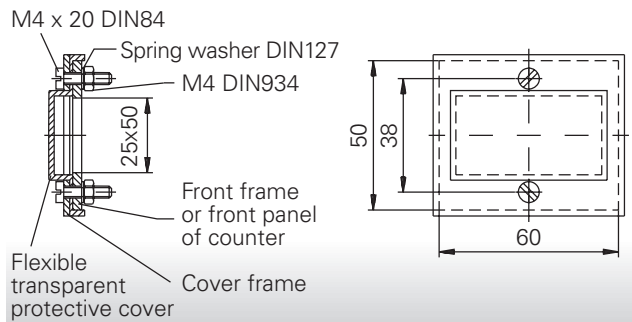
When mounted:  
IP 55

#### Order designation

##### Z 100.01A

For front panel 60 x 50 mm or front panel frame

#### Dimensions

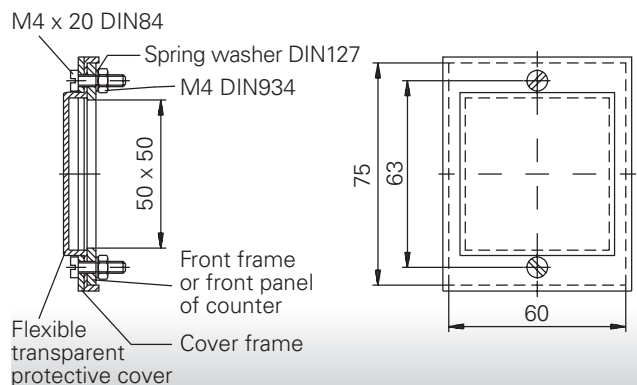


#### Order designation

##### Z 100.02A

For front panel 60 x 75 mm or front panel frame

#### Dimensions

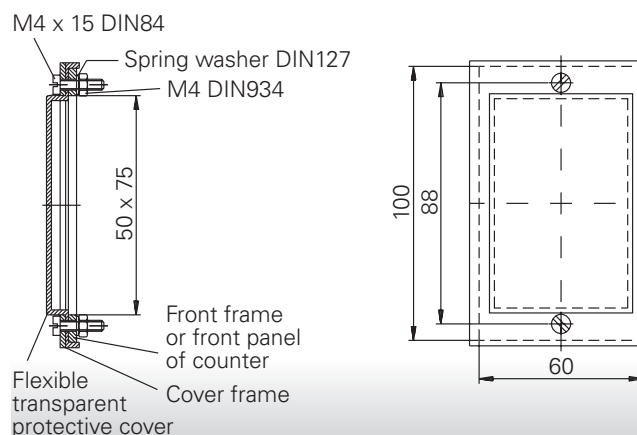


#### Order designation

##### Z 100.03A

For front panel 60 x 100 mm or front panel frame

#### Dimensions



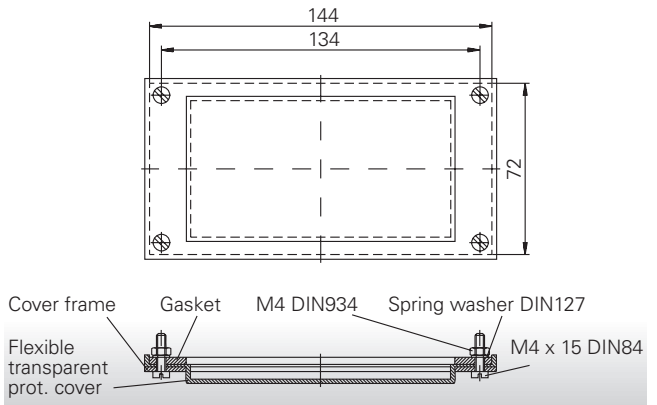
## Front panels

### Order designation

#### Z 100.04A

For front panel 144 x 72 mm or front panel frame

### Dimensions



## Front panel with perspex cover

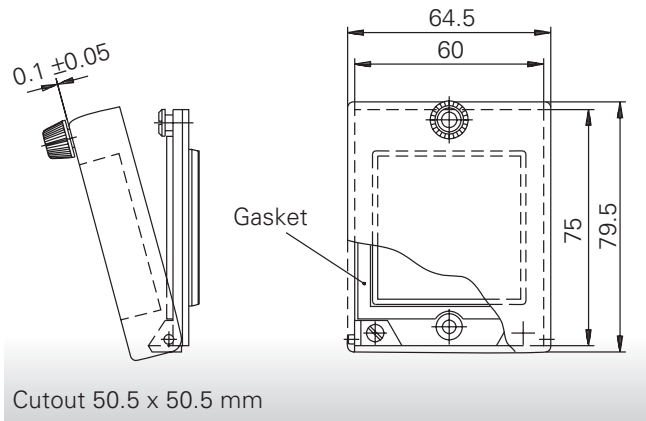
### Screw mounting

### Order designation

#### Z 102.050

Others upon request

### Dimensions



## Contact spring

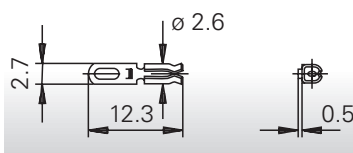
Brass, silver-plated to made connector pins  $\varnothing 1.5$  mm

### Order designation

#### 338.00.073

For counters:  
 F 102, F 112, F 122  
 F 314, F 324  
 F 514, F 518, F 524  
 FE314, FE324  
 FE514, FE524  
 FS314, FS324

### Dimensions



## Front panel frames

### Front panel frames

For the assembly of an individual electro-mechanical counter or serval counters front frameworks from pressure pouring are available. The plug-in housings are secured by two flat heads M4 to the panel frame and the counters may be extracted from the front.

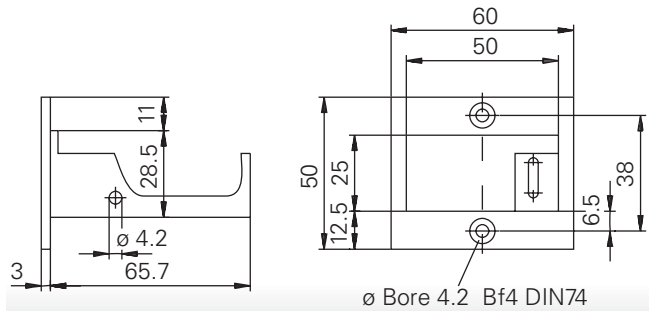
Standard color:  
Hammerstone, black

#### Order designation

##### Z 107.01A

Front aperture  
50 x 25 mm

#### Dimensions



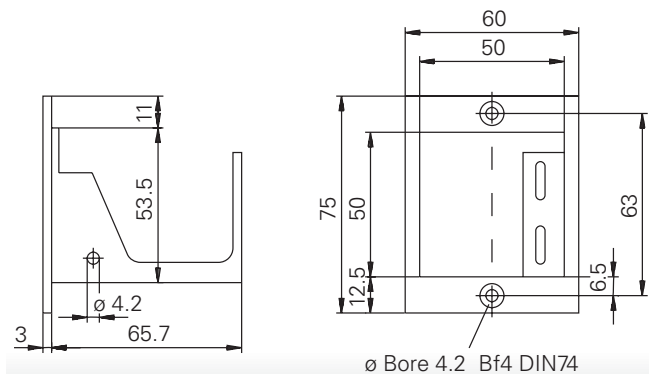
Cutout 55 x 30 mm

#### Order designation

##### Z 107.02A

Front aperture  
50 x 50 mm

#### Dimensions



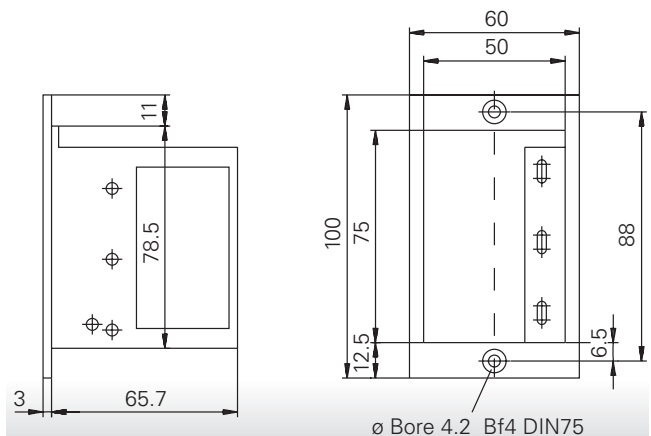
Cutout 55 x 55 mm

#### Order designation

##### Z 107.03A

Front aperture  
50 x 75 mm

#### Dimensions



Cutout 55 x 80 mm

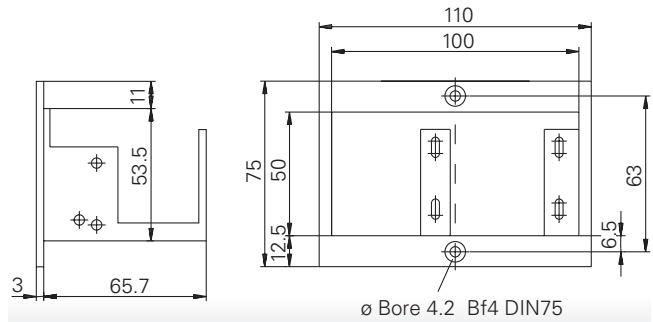
## Front panel frames/Perspex covers

### Order designation

#### Z 107.04A

Front aperture  
100 x 50 mm

### Dimensions



Cutout 105 x 55 mm

### Perspex cover mounted to front panel

Lockable or latchable transparent cover. For modular counters 50 x 50 mm or 50 x 25 mm. The hinge of the cover can be mounted optional at the top or below on the panel frame.

The cover is made of Macrolon.

When mounted:  
IP 55

### Order designation

#### Z 102.01A

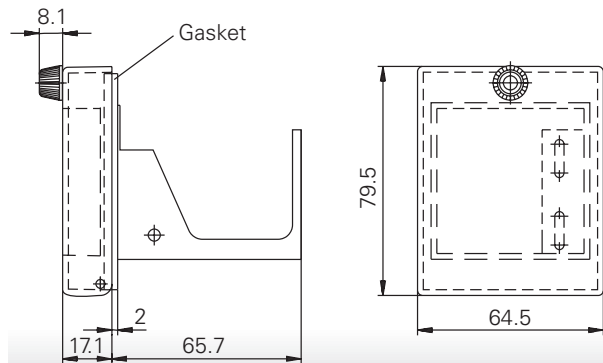
With turn knob

#### Z 102.02A

With lock

Front aperture  
50 x 50 mm

### Dimensions



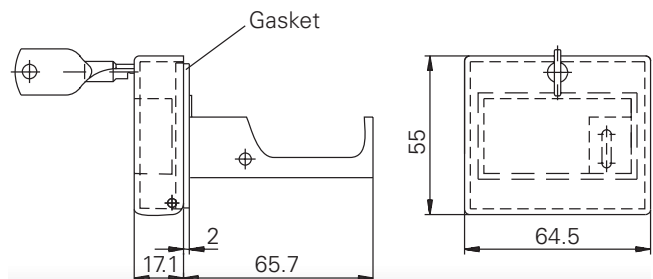
Cutout 55 x 55 mm

### Order designation

#### Z 105.02A

With lock  
Front aperture  
50 x 25 mm

### Dimensions



Cutout 55 x 30 mm